

SAFETY AND INSTRUCTION MANUAL (Version V1.0-EN)

BUBIX® BRO



EN

9 x 18 Makarov

9 x 19 Luger

9 x 21 IMI

WARNING



- ▶ Before using the pistol, read this manual carefully and entirely. Pay particular attention to the warning notices.

⇒ **2.1 General safety warnings**

- ▶ Always keep this manual together with your BUBIX^{BRO} pistol.

NOTICE

This user manual is a print version, created before the time of delivery. At the time the pistol was purchased, it may therefore deviate from the latest valid version. Compare the version numbers after purchase at bubix-arms.com. The currently valid version of this Instruction Manual is available for download as a pdf.

Table of contents

1. Foreword	4
1.1. About this Instruction Manual	4
1.2. About the company Bubix GmbH	4
1.3. Contact address	4
1.4. Legend	4
2. Safety Rules for Pistols	5
2.1. General safety warnings	5
2.2. General safety instructions for handling pistols	6
2.3. Liability Disclaimer	7
3. Pistol BUBIX BRO	8
3.1. Scope of delivery	8
3.2. Product description	9
3.2.1. Overview of the operating-, safety- and functional elements	9
3.2.2. Slide-Unit and slide serrations	10
3.2.3. Rear sight and front sight	10
3.2.4. Loaded chamber indicator	10
3.2.5. Slide stop lever	10
3.2.6. Receiver	10
3.2.7. Magazine Catch	11
3.2.8. Grip safety	11
3.2.9. Trigger	11
3.2.10. Trigger guard	11
3.2.11. Accessory rail	12
3.2.12. Barrel	12
3.2.13. Takedown Lever	12
3.2.14. Magazine	12
3.2.15. Grip extension	12
3.3. Caliber variants	13
3.4. Safety system BRO	13
3.5. BROguard Ambidextrous IWB Holster	14
3.6. Chamber block	15
4. Operation	16
4.1. Safety check and unloading	16
4.2. Loading the magazine	17
4.3. Loading the pistol	18
4.4. Shooting	19
4.4.1. Preconditions	19
4.4.2. Firing a shot	19
4.4.3. Magazine change	20
4.5. Unloading the magazine	21

5. Maintenance	22
5.1. Main assemblies	22
5.1.1. Pistol takedown	23
5.1.2. Pistol assembly	24
5.2. Weapon care and cleaning	25
5.3. Storage	26
5.4. Malfunctions	26
5.4.1. Failure to feed	27
5.4.2. Misfire	27
5.4.3. Defective round, charge too weak	28
5.4.4. Extraction fault	28
6. Adjustments and Extensions	29
6.1. Changing the magazine floorplate	29
6.2. Grip extension	30
6.2.1. Removing the grip extension	30
6.2.2. Assembling the grip extension	30
6.3. Conversion Kits	31
A. Technical Specifications	32
B. Exploded Views	33
B.1. Exploded View Slide	33
B.2. Exploded View Receiver	34
B.3. Exploded View Barrel, Recoil Spring Unit, Magazine	36
C. YOUTH HANDGUN SAFETY ACT NOTICE (USA only)	37
D. STATE REQUIRED SAFETY WARNINGS (USA only)	40
E. Notes	42
F. My BUBIX BRO	43
G. My Conversion Kit	43

1. Foreword

1.1. About this Instruction Manual

This Instruction Manual enables the safe and efficient handling of the BUBIX^{BRO} pistol. The Instruction Manual is part of the scope of delivery and must be stored accessible at all times. The respective edition of the Instruction Manual is indicated on the cover sheet and in the footer.

The edition number is increased with each revision.

The current version can be downloaded from our website bubix-arms.com.

1.2. About the company BUBIX[®] GmbH

The company BUBIX[®] GmbH, domiciled in Oberpullendorf in Austria, manufactures innovative, user-friendly pistols of outstanding quality using high quality materials. The current product range includes a subcompact pistol, the BUBIX^{BRO}, in three different calibers.

1.3. Contact address

📍 Bubix GmbH
Gewerberied 12
A - 7350 Oberpullendorf

☎ +43 50 919

🌐 bubix-arms.com



1.4. Legend

Safety instructions are always presented in the same way in this Instruction Manual. Depending on how dangerous a situation can become, the following warning levels are used:

⚠ WARNING Indicates a hazardous situation, that can lead to serious physical injury or death.

⚠ CAUTION Indicates a situation, that can lead to material damage.

NOTICE Application tips and useful information.

2. Safety Rules for Pistols

2.1. General safety warnings

⚠ WARNING First of all, familiarise yourself with the operation of your weapon by reading the Instruction Manual carefully. Only pick up the weapon when you have understood all descriptions in the individual chapters. If you are still unsure about the operation of the weapon even after reading the Instruction Manual, contact an authorised armorer or BUBIX GmbH.

⚠ WARNING Do not handle the pistol in any way if the state of your health does not allow it, resp. under the influence of alcohol, drugs or medicines.

⚠ WARNING As soon as you pick up the weapon, whether to use it, to clean it or to clear a malfunction, always check if the pistol is loaded or not. In addition, follow the instructions on the subject of safety check and proper unloading the weapon.

⇒ **4.1 Safety check and unloading**

⚠ WARNING Store the pistol and ammunition separate from each other. Unauthorised persons must not have access to the weapon or the ammunition.

⚠ WARNING A loaded firearm can release an unintended shot, even if only slight pressure is applied onto the trigger. Therefore transport pistols ONLY when unloaded.

⚠ WARNING Always handle a pistol as if it was loaded. Always hold the pistol in such a way that you do not endanger yourself or other persons. Never aim the pistol at people or objects that you do not want to hit, even if the pistol appears to be unloaded. Even with the best safety mechanisms, improper handling can be dangerous for you and others.

⚠ WARNING Never place your finger on the trigger unless you intend to fire a shot. The finger must always be placed outside the trigger area. Do not move your finger to the trigger position until you have acquired the desired target and are ready to fire.

⚠ WARNING The takedown of the weapon is detailed in the description
⇒ **5.1.1 Pistol takedown**. Never use force to do this. A takedown going beyond the extent described is not permitted and leads to the immediate loss of any warranty claims. In addition, improper reassembly of the weapon may result in damage. As a result, both your own life and health or that of other persons can be endangered.

⚠ WARNING The function and safety is dependent on the condition of the weapon and the ammunition. Therefore always keep the weapon in a proper technical condition and follow the necessary maintenance activities described for this purpose ⇒ **5 Maintenance**. Also, always use only ammunition in proper technical condition from a reputable manufacturer and never use reloaded rounds.

⚠ WARNING If the weapon has visible damage (e.g. corrosion) or if it has fallen on the ground, the weapon must be checked for functionality and repaired if necessary by a qualified armorer before further use.

⚠ WARNING When shooting, if possible always wear hearing protection and safety glasses for your own safety. Furthermore, make sure that other persons in your vicinity are also wearing protective equipment or are not endangered or injured by the bang and the case ejection when firing.

⚠ WARNING Your weapon can be operated exclusively with ammunition of only one caliber. Therefore observe the Caliber Designation on the weapon ⇒ **3.2 Product description** precisely and never use ammunition of a different caliber. Firing with an incorrect caliber might endanger both your own life and health as well as that of other persons. Use only ammunition that complies with the specifications of the Commission Internationale Permanente pour l'Épreuve des Armes a Feu portatives (C.I.P.) or the Sporting Arms and Ammunition Manufacturers Institute (SAAMI) and the caliber of the firearm. Reloaded ammunition must not be used in this gun for safety reasons (e.g. uncontrollable gas pressure) as well as for reasons of a possible warranty claim against the manufacturer Bubix.

⚠ WARNING Make sure, that there are no oil residues on the pistol and that the barrel is clean and free from foreign objects. ⇒ **5 Maintenance**

⚠ WARNING Any modification to the weapon, that has not been described as permitted in the Instruction Manual, is prohibited and leads to the immediate loss of the warranty claims. In addition to this, as a result both your own life and health as well as that of other persons can be endangered.

⚠ WARNING Never put your fingers or hand in the Muzzle area of a firearm.

2.2. General safety instructions for handling pistols

Your knowledge of handling firearms can prevent accidents.

NOTICE Please note, that models of different manufacturers can look similar, but can however differ with regard to technology, operation and safety mechanisms.

NOTICE The safe handling of pistols requires special training, discipline and caution. Undergo instruction in the handling of firearms by a qualified shooting instructor before you use a firearm for the first time.

NOTICE Safety mechanisms of pistols are mechanical devices and are no replacement for careful handling.

NOTICE Only hand over or accept the pistol when it is unloaded, the slide is open or the chamber block is in the chamber and the magazine has been removed. Always check this yourself.

NOTICE Never leave your pistol unattended, resp. keep it safe and locked away.

NOTICE Always use a pistol case or a suitable holster to transport a pistol. Never carry a pistol unprotected in your clothing or handbag.

2.3. Liability Disclaimer

The company BUBIX® GmbH excludes any liability for damage (personal injury and material damage) for the weapons manufactured by it as well as the accessory parts marketed by it, that can be traced back to improper handling or usage contrary to this Instruction Manual. The same applies for damage that can be traced back to unlawful behaviour, non-observance of information or due to unauthorised modification of the weapon.

If you are uncertain or have any questions about the product, you can gladly contact us.

⇒ **1.3 Contact address**

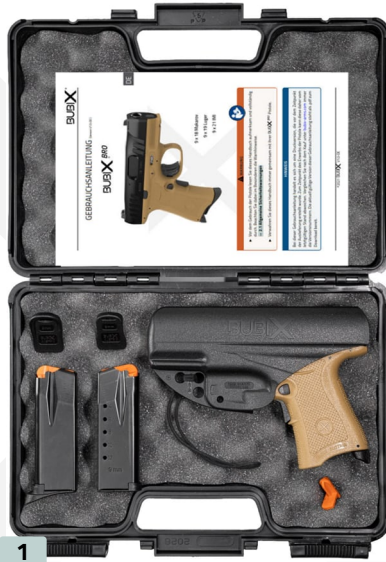
EN



3. Pistol BUBIX[®] BRO

BUBIX[®] BRO - TAKE YOUR BEST FRIEND WITH YOU!

3.1. Scope of delivery



- ▶ BUBIX[®] BRO pistol
- ▶ **BROGUARD** ambidextrous inside the waistband holster
- ▶ 12 round magazine (with flat floorplate)
- ▶ 12 round magazine (with extended floorplate)
- ▶ 2x magazine floorplates (1x flat / 1x extended)
- ▶ Chamber block
- ▶ Case
- ▶ Instruction Manual

3.2. Product description

3.2.1. Overview of the operating-, safety- and functional elements

- ① Muzzle
- ② Slide-Unit
- ③ Front Sight
- ④ Loaded Chamber Indicator
- ⑤ Model Designation
- ⑥ Rear Sight
- ⑦ Slide Serrations
- ⑧ Slide Stop Lever
- ⑨ Receiver
- ⑩ Magazine Catch
- ⑪ Grip Safety
- ⑫ Trigger
- ⑬ Trigger Guard
- ⑭ Accessory Rail
- ⑮ Caliber Designation
- ⑯ Recoil Spring Unit



- ⑰ Slide Cap
- ⑱ Eject Window
- ⑲ Barrel
- ⑳ Serial No. Slide
- ㉑ Serial No. Receiver
- ㉒ Takedown Lever
- ㉓ Magazine
- ㉔ Grip Extension



EN

3.2.2. Slide-Unit and slide serrations

The top closed slide of the BUBIX^{BRO} with its distinctive profile has an especially hard surface coating (DLC). The very pronounced slide serrations at the front and rear of the Slide-Unit enable a controlled, slip-free tensioning of the pistol.

3.2.3. Rear sight and front sight

Rear Sight ⑥ and Front Sight ③ on the BUBIX^{BRO} are made of a polymer material as standard and have a white contrast insert. Due to the special geometry they enable a fast and precise aiming of the target object.

NOTICE A precise adjustment of the aiming device takes place shortly before delivery. If necessary this can be adjusted laterally by an authorised armourer.

3.2.4. Loaded chamber indicator

The round loaded in the chamber pushes the Loaded Chamber Indicator ④ up, through which this protrudes visibly and perceptibly above on the Slide-Unit ②.

WARNING

Always handle a pistol as if it was loaded.

Primarily the Loaded Chamber Indicator ④ has the task of indicating, that there is a round in the chamber and NOT, that the weapon is to be regarded as unloaded. The only safe way to determine whether the gun is loaded, is to look inside the chamber while pulling back the Slide-Unit after the Magazine has been removed.

3.2.5. Slide stop lever

The BUBIX^{BRO} pistol has a Slide Stop Lever ⑧ on both sides. The Slide-Unit ② is held in the open position by the Slide Stop Lever.

3.2.6. Receiver

The Receiver ⑨ of the BUBIX^{BRO} is made of a durable polymer material and is available in various colours.

3.2.7. Magazine Catch

The BUBIX^{BRO} has a Magazine Catch ⑩ on the Receiver ⑨ on both sides of the pistol. The magazine ejection can thus be carried out from the left as well as the right side without conversion.

3.2.8. Grip safety

The unpressed and consequently active grip safety is situated under the Trigger Guard ⑬ and blocks the Trigger ⑫.

NOTICE To deactivate the grip safety, a common weapon grip is sufficient, no additional force is required.

WARNING

The safety mechanisms in the weapon have been designed to eliminate hazards caused by foreseeable events, such as e.g. the firing of a shot by a weapon falling to the ground. However, this does not absolve you from responsible handling of the weapon and your responsibility!

3.2.9. Trigger

As standard the BUBIX^{BRO} has a very short and precise trigger travel. In combination with the broad and ergonomically shaped Trigger ⑫, the design ensures an outstanding trigger characteristic.

After firing a shot there is a noticeable and short trigger reset, that permits fast and precise firing.

3.2.10. Trigger guard

The trigger guard protects the trigger from uncontrolled actuation and is shaped in such a way, that it is also possible to operate the BUBIX^{BRO} while wearing gloves.

3.2.11. Accessory rail

The standardised accessory rail (MIL-STD-1913) permits the mounting of flashlights and laser pointers of various manufacturers.

Examples:

- ▶ STREAMLIGHT TLR-3[®] (KEY-A)
- ▶ INSIGHT X2 (SUB COMPACT)

3.2.12. Barrel

A specially manufactured Barrel ⑲ is used for the BUBIX^{BRO} that minimises wear, even at higher firing rates.

With the Browning-Bubits Interlocking System the barrel is tilted less when firing, resulting in advantages for muzzle flip.

3.2.13. Takedown Lever

The Takedown Lever ⑳ is situated within the trigger area and enables the simple takedown of the BUBIX^{BRO}.

3.2.14. Magazine

A BUBIX^{BRO} magazine holds 12 rounds of the calibers 9x18 Makarov, 9x19 Luger or 9x21 IMI.

NOTICE With the additional magazine floor plates included in the scope of delivery, the magazines can be adapted to the individual requirements of the user.

WARNING

NEVER load rounds of different caliber in a magazine and observe the Caliber Designation ㉑ of your BUBIX^{BRO} when filling.

3.2.15. Grip extension

The grip extension is already fitted in the factory and can be removed if required.

3.3. Caliber variants

The BUBIX^{BRO} is available in the following three caliber variants:

Caliber	9x18 Makarov	9x19 Luger	9x21 IMI
Bullet \varnothing	9.27 mm	9.03 mm	9.03 mm
Bullet weight	6.1 g	8 g	8 g
Round length	25.0 mm	29.69 mm	29.75 mm
Velocity v_0	315 m/s	360 m/s	360 m/s
Bullet energy E_0	300 J	518 J	518 J
max. Gas pressure	1650 bar	2350 bar	2350 bar

NOTICE The table serves as a general overview. The values given are average values and may vary depending on the manufacturer, but must comply with the standards of C.I.P. and SAAMI.

Bullet weight, muzzle velocity v_0 and weapon weight effect a different recoil when a shot is fired. The rounds of caliber 9x18 Makarov have less recoil in comparison with the two other calibers.

The BUBIX^{BRO} pistol of caliber 9x18 Makarov is therefore the ideal choice for people who prefer lower recoil firing with similar performance.

3.4. Safety system BRO

The loaded pistol is characterised by having a round in the chamber (the Loaded Chamber Indicator is visible and tangible).

The safety system of the BUBIX^{BRO} is therefore active:

- ▶ Firing pin safety - the firing pin is partially tensioned and secured,
- ▶ Drop safety - the trigger bar is forcibly held in a gate in the ejector and is additionally supported by the disconnecter insert, which ensures that the weapon is drop-proof,
- ▶ Grip safety - the trigger is in its front position and is blocked by the grip safety.

3.5. BROGUARD Ambidextrous IWB Holster

The functional plastic holster included in the scope of delivery is used for the optimal safekeeping and enables authorised persons a concealed and also comfortable carrying **4** of their BUBIX^{BRO}.

The **BROGUARD** ambidextrous IWB holster can be fastened preferably on the belt with the loop **6** and due to the symmetrical design, is suitable both for left- as well as right-handed users.

The holster covers your BUBIX^{BRO} **5** to a large extent and provides appropriate security.

The holster has a snap-in position, which prevents the pistol from falling out. A certain amount of force is therefore necessary to pull the pistol out of the holster.



3.6. Chamber block

The chamber block is used so that the BUBIX^{BRO} pistol can be visibly set down unloaded.

To insert the chamber block in the chamber **7**, the Slide-Unit **2** must be held open by the Slide Stop Lever **8**.

The Slide-Unit is then closed. **8**



EN

4. Operation

⚠ WARNING



The handling of the weapon is your responsibility. Therefore contribute towards your safety and that of others by using the gun in a safety-conscious manner.

4.1. Safety check and unloading

To be sure that your BUBIX^{BRO} is unloaded, proceed as follows:

1. Hold the pistol with your shooting hand on the Receiver ⑨ and make sure that none of your fingers are in the trigger area.
2. Point the Muzzle ① of your BUBIX^{BRO} in a safe direction.
3. Press the Magazine Catch ⑩ with your thumb and remove the Magazine ⑬ 9.
4. Grasp the back of the Slide-Unit ② with your free hand and make sure that the Eject Window ⑮ 10 is not covered in the process.
5. Then pull the Slide-Unit back completely.
 - ▶ If there is still a round in the chamber, it will now be ejected through the Eject Window.
6. To lock the Slide-Unit in the open position, press the Slide Stop Lever ⑧ up with your thumb and let the Slide-Unit glide slowly forward, until it is stopped by the Slide Stop Lever.



7. Check the chamber and make sure, that the Barrel is free, dry and clean 11.

⚠ WARNING

NEVER look directly into the barrel and do not ask other people to do so.

8. Check the magazine well and make sure it is empty as well.

✓ The BUBIX^{BRO} pistol is now unloaded.

NOTICE If the unloading of the pistol could not be completed properly, refer to the guideline for eliminating malfunctions.

⇒ **5.4 Malfunctions**

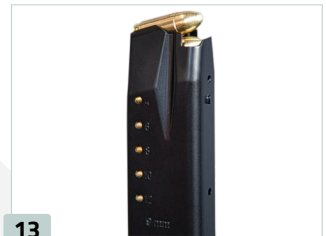
4.2. Loading the magazine

To load the magazine, proceed as follows:

1. Push a round into the magazine with the base first **12**. To do this you must push against the force of the magazine spring.
 - ▶ The number of rounds already loaded can be read off at the side openings in the magazine casing **13**.
2. You can repeat this procedure until the maximum magazine capacity of 12 rounds is reached.



12



13

⚠ WARNING

Ignoring these warnings can lead to danger, damage or malfunction.

- ▶ Never use force when loading the magazine.
- ▶ Fill the magazine exclusively with clean, factory-loaded ammunition of the right caliber.
- ▶ Note the Caliber Designation on your pistol.
- ▶ NEVER fill the magazine with more than the maximum permitted number of 12 rounds.

EN

4.3. Loading the pistol

⚠ WARNING



NEVER feed rounds into the chamber through the Eject Window, but only via the filled Magazine.

After a careful check ⇒ **4.1 Safety check and unloading** the pistol is unloaded and you can begin with the loading process.

⚠ CAUTION

As always, make sure that there is no finger in the trigger area and that the Muzzle is pointing in a safe direction.

To load the pistol, proceed as follows:

1. Place the shooting hand around the Receiver.
2. With your free hand, insert the filled magazine ⇒ **4.2 Loading the magazine** into the grip frame, until the Magazine Catch ⑩ completely locks in place. **14**.
3. Grasp the back of the Slide-Unit ② with your free hand and pull it back completely **15**.
4. Release the Slide-Unit

NOTICE

Make sure, that the Slide-Unit can move forward unrestricted.

- ▶ The Slide-Unit shoots forward and feeds a round from the magazine into the chamber of the barrel.

- ✓ The BUBIX^{BRO} pistol is now loaded.
- ▶ The Loaded Chamber Indicator ④ protrudes visibly and tangibly from the top side of the Slide-Unit.



⚠ WARNING

- ▶ The pistol is loaded and ready to fire. A shot is fired when the Trigger ⑫ is pulled.
- ▶ Always point the Muzzle ① of the pistol in a safe direction and keep your trigger finger and other objects outside the trigger area.
- ▶ Do not give the loaded weapon out of your hand.

4.4. Shooting



⚠ WARNING

Pay attention to the ⇒ **2.1 General safety warnings.**

4.4.1. Preconditions

Regardless of whether there is a Magazine (23) inserted (description for use without magazine safety), a shot will be fired under the following conditions:

- ▶ There must be a round in the chamber.
- ▶ The Slide-Unit must be closed.
 - ✓ The firing pin is tensioned and the safety mechanisms are activated.
- ▶ The Grip Safety (11) is pressed by grasping the handle and is therefore deactivated.
- ▶ Pressing the trigger fires a shot.

4.4.2. Firing a shot

⚠ CAUTION

When a shot is fired the Slide-Unit moves backwards in a longitudinal direction with considerable force and velocity and reaches significantly over the end of the grip frame!

- ▶ Make sure, that no part of your body is in the path of movement of the Slide-Unit

⚠ WARNING

Do not press the trigger, if

- ▶ any unusual resistance was felt when feeding the round into the chamber or during the loading process.
- ▶ a round misfired (no audible shot bang)
- ▶ the fired shell was not ejected
- ▶ unburned particles of gunpowder are detected on parts of the firearm
- ▶ shot sounds weaker than usual

- ▶ the recoil of the weapon was perceived weaker than usual

To fire a shot, proceed as follows, while considering the generally applicable rules of conduct

⇒ **2.1 General safety warnings:**

1. Grasp the grip frame with your shooting hand and make sure, that none of your fingers are in the trigger area.
 - ▶ The grip safety is thereby deactivated.
2. Take aim at your target.
3. Place your index finger on the trigger and pull it back to the rearmost position, until a shot is fired.
 - ▶ The case is ejected.
 - ▶ If the magazine is loaded, a new round is transported automatically into the chamber.
4. After firing the shot take your finger off the trigger and hold the pistol in a safe direction.
5. **NOTICE** The following situations are now possible:
 - a) You want to continue shooting.
 - ▶ Repeat the procedure ⇒ **4.4.2 Firing a shot**
 - b) You want to continue shooting, the slide is completely open and is held by the Slide Stop Lever **8**
 - ▶ Change the Magazine ⇒ **4.4.3 Magazine change**
 - c) You want to finish shooting
 - ▶ Unload the pistol ⇒ **4.1 Safety check and unloading** and the magazine ⇒ **4.5 Unloading the magazine**
 - d) A fault has occurred
 - ▶ ⇒ **5.4 Malfunctions**

4.4.3. Magazine change

CAUTION

When the slide stop lever is actuated the Slide-Unit moves forward with considerable force and velocity in the longitudinal direction.

- ▶ Make sure that no part of your body is in the path of movement of the Slide-Unit or in

the Eject Window.

1. Press the Magazine Catch, preferably with your thumb (optionally at the left or right side) and remove the magazine **9**.
 2. Insert the filled magazine with your free hand ⇒ **4.2 Loading the magazine** into the grip frame, until the Magazine Catch engages completely.
 3. Press the Slide Stop Lever **8** (optionally at the left or right side)
 - ▶ The Slide-Unit shoots forward and guides a round from the magazine into the chamber.
- ✓ The BUBIX^{BRO} pistol is now loaded.
- ▶ The Loaded Chamber Indicator **4** protrudes visibly and tangibly at the top side of the Slide-Unit.

WARNING



- ▶ The pistol is loaded and ready to fire, and a shot is fired when the trigger is pulled.
- ▶ Point the muzzle of the pistol in a safe direction under all circumstances, and keep your trigger finger and other objects outside the trigger area.
- ▶ Do not give the loaded gun out of your hand.

NOTICE

You can also change a magazine with the weapon loaded. This eliminates the need to operate the slide lever.

You can now continue shooting ⇒ **4.4.2 Firing a shot**

4.5. Unloading the magazine

To unload the magazine, press the top round at the case base out of the magazine and repeat this procedure until the magazine is empty.

5. Maintenance

WARNING

Before starting any maintenance work, make sure that the pistol is unloaded.

⇒ **4.1 Safety check and unloading**

If the pistol has not been unloaded properly, a shot will be fired when the trigger is pulled.

5.1. Main assemblies

The BUBIX^{BRO} pistol can be disassembled into five main assemblies for cleaning:

- (A)** Slide-Unit
- (B)** Barrel
- (C)** Recoil-Unit
- (D)** Receiver
- (E)** Magazine



16

NOTICE Further disassemblies may only be carried out by an authorised armourer, and leads to the loss of the warranty claims if this is ignored. Excluded from this and permitted only are ⇒ **6 Adjustments and Extensions**.

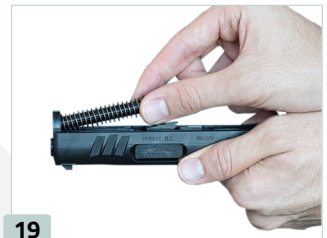
5.1.1. Pistol takedown

To takedown the BUBIX^{BRO} pistol, proceed as follows:

1. Unload the pistol and check the safety.
⇒ **4.1 Safety check and unloading**

⚠ WARNING Execute the next step only when you have unloaded the pistol.

2. Pull the Trigger **(12)**.
 3. Press the Takedown Lever **(22)** and push the Slide-Unit **(A)** forward a few millimetres.
 4. Lift off the Slide-Unit upwards.
 5. Remove the Recoil-Unit **(C)**.
 6. Remove the Barrel **(B)**.
- ✓ The BUBIX^{BRO} pistol is disassembled into the main assemblies **16**.



EN

5.1.2. Pistol assembly

⚠ WARNING

There must **NEVER** be a Magazine **(E)** in the Receiver **(D)** during assembly.

- ▶ If a loaded magazine is inserted, after assembly a shot will be fired when the trigger is pulled.

1. Insert the Barrel **(B)** in the Slide-Unit **(A)**. **21**
 2. Insert the Recoil-Unit **(C)** with the smaller end in the hole on the Slide-Unit and then press the recoil spring unit into the recess on the barrel. **22**
 3. Put the Slide-Unit onto the Receiver **(D)** from above, offset forward by a few millimetres. Press the Slide-Unit onto the Receiver **(D)** against the spring force of the takedown mechanism. **23**.
 4. Pull the slide back to it's rearmost position. **24**
 5. Let the slide glide forward.
- ✓ Your BUBIX^{BRO} is now assembled again.

NOTICE During assembly the system has been tensioned by pulling back the slide. To remove the tension, aim in a safe direction and pull the Trigger.



5.2. Weapon care and cleaning

⚠ WARNING

The pistol and the magazines must be unloaded before cleaning.

⇒ **4.1 Safety check and unloading**

⇒ **4.5 Unloading the magazine**

When a shot is fired a variety of residues remain in the pistol, such as combustion residues, unburned powder or also metal abrasion from projectile and case.

To ensure the precision and the reliable function, we recommend cleaning your BUBIX^{BRO} before and after each shooting event, or even when not in use at regular intervals, but at least once a year.

To do this, disassemble the pistol into its main assemblies ⇒ **5.1.1 Pistol takedown.**

In the Barrel **(B)**, remove the contamination from the feeding ramp, chamber and barrel bore **25** in the direction of firing using appropriate cleaning materials. Repeat the process, until the cleaning material comes out of the barrel clean.



NOTICE Please note, that the cleaning brushes must be matched to the caliber.

Using cloths, cleaning swabs or brushes, remove all residues from the Receiver **(D)** and the Slide-Unit **(A)**. Here especially from the lateral guides and from the impact insert. **26**



After cleaning, a very thin coat of oil should be applied to all visible metal surfaces. Wipe off any oil residues. Too much oil impairs the function of the pistol.

NOTICE If the pistol is to be used or stored in a cold environment, use a gun oil recommended for this purpose.

⚠ CAUTION

Use only resin- and acid-free detergents and gun oils recommended for gun care, and follow the manufacturer's instructions. Solvents containing ammonia or alkaline solvents must not be used.

5.3. Storage

Comply with the firearms regulations of your country regarding the storage of firearms and ammunition.

5.4. Malfunctions

WARNING

Any malfunction represents an increased safety risk. Therefore, increased caution is required in determining the cause and in subsequent troubleshooting. In any case, stay calm and proceed thoughtfully!

- ▶ Always aim in a safe direction until the malfunction has been completely rectified or until the potential hazard has been eliminated. Do not put the gun down, and if necessary, get support from persons trained in firearms technology.

WARNING

- ▶ Check the ejected live round for damage and dispose of this round properly.

NOTICE

The malfunctions listed below represent only an extract of the possible causes, effects and subsequent measures. This extract does not claim to be complete and is primarily intended to assist you in recognizing the most common malfunctions of a gun and in eliminating them.

Although a weapon malfunction can never be excluded, the most common causes for malfunctions are due to

- ▶ the contamination of the pistol or magazine
- ▶ contaminated, wrong, unsuitable or defective ammunition
- ▶ too much oil applied on parts of the weapon
- ▶ holding the pistol too loosely (finger or wrist) when firing a shot

5.4.1. Failure to feed

WARNING

The round was not or not completely transported into the chamber, resp. the Slide-Unit is not completely closed.

- ▶ Do not attempt to close the Slide-Unit by pushing it. Do not use force under any circumstances.


Possible cause	Remedy
Magazine not completely engaged	⇒ 4.4.3 Magazine change
Dirty chamber	⇒ 5.2 Weapon care and cleaning
Incorrect caliber, contaminated or damaged ammunition	⇒ 4.2 Loading the magazine
Dirty or damaged magazine	Clean or replace magazine

5.4.2. Misfire

WARNING

No shot sound was heard or no recoil was perceptible when the shot was fired.

- ▶ Continue to hold the pistol aimed at the target for at least 30 seconds. It could be a late fire, caused by defective powder in the round.

Possible cause	Remedy
Defective or incorrect ammunition	⇒ 4.2 Loading the magazine
Slide-Unit  not completely closed	Pull back the slide and release
Defective firing pin	Repair by certified armourer

5.4.3. Defective round, charge too weak

WARNING

The bang was quieter than usual and/or the recoil was weaker.

- ▶ A bullet could be in the barrel. Before firing again, check whether the barrel is clear.

Possible cause	Remedy
Defective or incorrect ammunition	⇒ 4.1 Safety check and unloading

5.4.4. Extraction fault

WARNING

Case jammed in the chamber

- ▶ Please note, that the round may not have been fired and is still live.
- ▶ Do not use any force when removing the case

Possible cause	Remedy
Contaminated chamber, dirty extractor	⇒ 5.2 Weapon care and cleaning
Defective extractor	Repair by certified armourer

6. Adjustments and Extensions

6.1. Changing the magazine floorplate

1. Using a suitable object, push the magazine spring into the magazine through the opening on the magazine floorplate. **27**
2. Slide the floorplate off the magazine. **28**

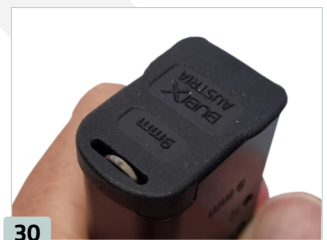
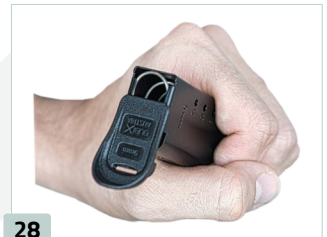
NOTICE The magazine spring is prevented from jumping out by the magazine tube. **29**

✓ The floorplate is removed.

3. Slide the desired floorplate onto the magazine **28** until the magazine spring engages in the opening of the floorplate. **30**

NOTICE Make sure the magazine spring **30** has snapped into its opening, before you reload the magazine.

⇒ **4.2 Loading the magazine**



6.2. Grip extension

The Receiver's ⑨ factory-installed Grip Extension ⑳ can be removed if required.

6.2.1. Removing the grip extension

1. Press the pin that connects the Grip Extension with the grip frame out of the hole.
2. Pull the grip extension out of the Receiver.
3. Store the pin together with the grip extension.



NOTICE Use a suitable drift punch (pin punch $\varnothing 2$ mm), to prevent damage to the Receiver.

6.2.2. Assembling the grip extension

1. Slide the grip extension into the opening behind the magazine well.
2. Fix the Grip Extension ⑳ in the hole of the Receiver with the corresponding dowel pin.

NOTICE A Grip Extension that is not secured by the dowel pin may loosen while the pistol is in use.

6.3. Conversion Kits

Each BUBIX^{BRO} pistol represents the basis for the conversion to a different caliber.

Thereby, in the process

- ▶ Recoil-Unit **C**
- ▶ Receiver **D**
- ▶ Magazine **E**



form the platform **32** for a **tool-free** conversion.

A conversion kit **33** consists of

- ▶ Slide-Unit **A**
- ▶ Barrel **B**

The conversion kits can be purchased in the three available calibers.



EN

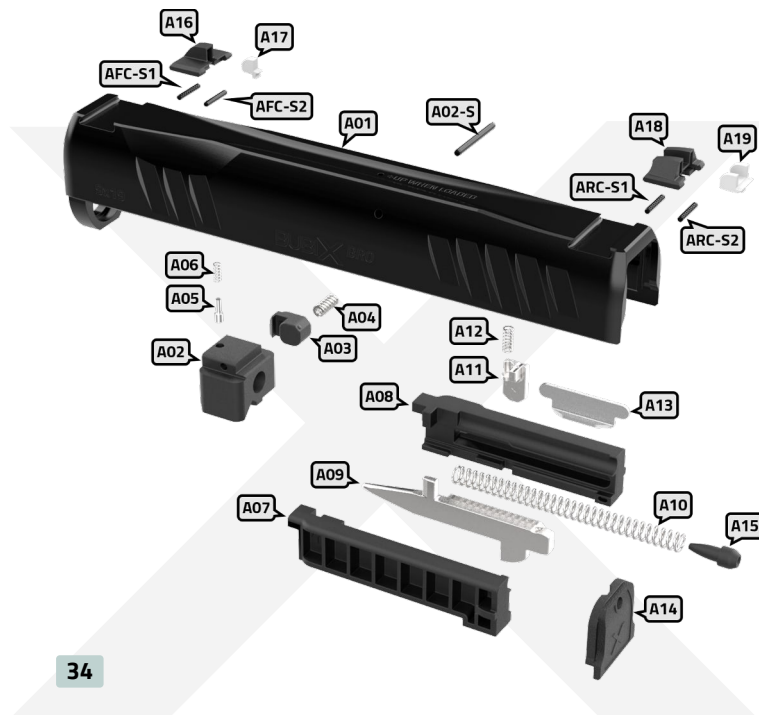
A. Technical Specifications

Caliber	9x18 MAK, 9x19 Luger, 9x21 IMI
Magazine capacity	12 (+1)
Slide length	161,5 mm (6.36 in)
Barrel length	90,0 mm (3.54 in)
Slide width	24,4 mm (0.96 in)
Weight with empty magazine	560 g (19.75 oz)
Receiver	Polymer
Breech system	Reduced Dropping Barrel System
Trigger	ca. 25 N (5,5 In)
Trigger System	Double Action with Trigger Stop
Magazine Catch	ambidextrous
Slide Stop Lever	ambidextrous
Self-acting safeties	Grip-, Drop- and Firing pin safety
Loaded Chamber Indicator	tangible and visible
Accessory Rail	Mil. Std. 1913
Grip Extension	yes

B. Exploded Views

NOTICE The following detailed illustrations serve only to illustrate the interior of your BUBIX^{BRO} pistol and in no way authorize for further disassembly work beyond that described in ⇒ **5 Maintenance**.

B.1. Exploded View Slide



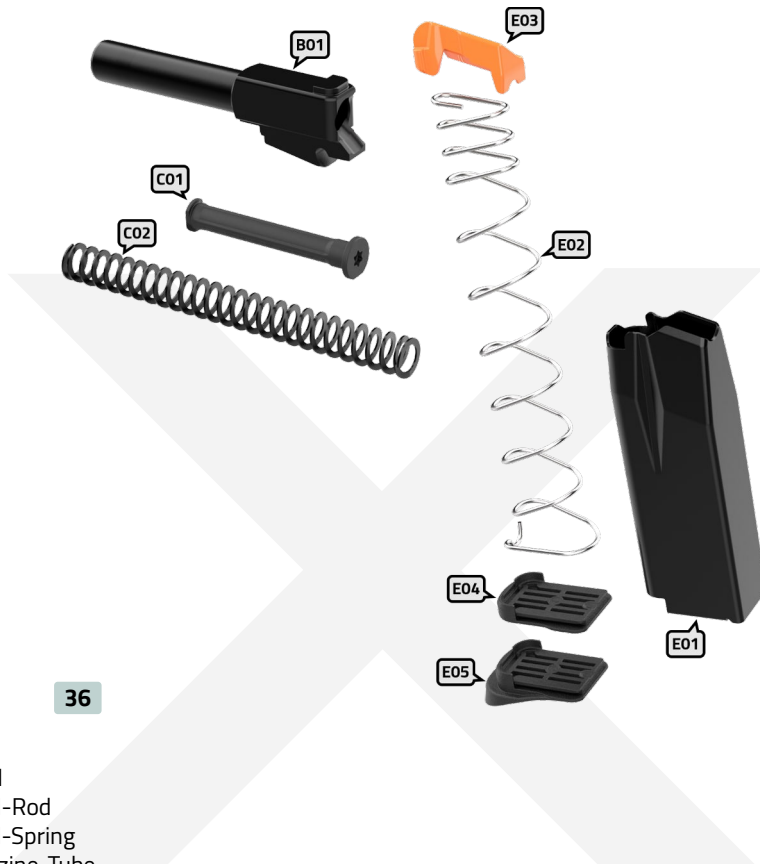
- | | |
|--------------------------------|-------------------------------------|
| A01 Slide | A12 Firing-Pin-Safety-Spring |
| A02 Impact-Insert | A13 Control-Sheet |
| A02-S Impact-Insert-Pin | A14 Slide-Cap |
| A03 Extractor | A15 Slide-Cap-Pin |
| A04 Extractor-Spring | A16 Front-Sight |
| A05 Indicator | A17 Front-Sight-Inlay |
| A06 Indicator-Spring | AFC-S1 Front-Sight-Pin Front |
| A07 FPU-Left | AFC-S2 Front-Sight-Pin Rear |
| A08 FPU-Right | A18 Rear-Sight |
| A09 Firing-Pin | A19 Rear-Sight-Inlay |
| A10 Firing-Pin-Spring | ARC-S1 Rear-Sight-Pin Front |
| A11 Firing-Pin-Safety | ARC-S2 Rear-Sight-Pin Rear |

B.2. Exploded View Receiver



- D001 Grip-Frame
- D002 Grip-Extension
- D002-S1 Grip-Extension-Pin
- D003 Central-Block
- D003-S1 Central-Block-Pin
- D004 Takedown-Bar
- D005 Takedown-Lever
- D006 Takedown-Lever-Spring
- D007 Magazine-Catch
- D008 Magazine-Catch-Spring
- D009-05 Safety-Insert standard
- D009-S1 Safety-Insert-Pin
- D012-S1 Manual-Safety-Axle
- D013 Slide-Stop-Lever
- D014 Slide-Stop-Lever-Spring
- D015 Trigger-Axle
- D015-S1 Trigger-Axle-Pin
- D016 Trigger
- D017 Trigger-Spring
- D018 Grip-Safety
- D019 Grip-Safety-Spring
- D020 Trigger-Bar
- D020-S1 Trigger-Bar-Axle
- D021 Trigger-Bar-Spring
- D021-S1 Trigger-Bar-Spring-Axle
- D022 Disconnecter-Insert
- D022-S1 Disconnecter-Insert-Pin
- D023 Disconnecter
- D024 Disconnecter-Spring
- D025 Guide-Bracket
- D025-S1 Guide-Bracket-Pin
- D026 Ejector
- D029 Breech-Pin

B.3. Exploded View Barrel, Recoil Spring Unit, Magazine



36

- B01** Barrel
- C01** Recoil-Rod
- C02** Recoil-Spring
- E01** Magazine-Tube
- E02** Magazine-Spring
- E03** Follower
- E04** Floorplate
- E05** Floorplate extended

C. YOUTH HANDGUN SAFETY ACT NOTICE (USA only)

- (1) The misuse of handguns is a leading contributor to juvenile violence and fatalities.
- (2) Safely storing and securing firearms away from children will help prevent the unlawful possession of handguns by juveniles, stop accidents, and save lives.
- (3) Federal law prohibits, except in certain limited circumstances, anyone under 18 years of age from knowingly possessing a handgun, or any person from selling, delivering, or otherwise transferring a handgun to a person under 18.
- (4) A knowing violation of the prohibition against selling, delivering, or otherwise transferring a handgun to a person under the age of 18, is under certain circumstances, punishable by up to 10 years in prison.

EN

FEDERAL LAW

The Gun Control Act of 1968, 18 U.S.C. Chapter 444, provides in pertinent as follows:

18 U.S.C. §922(x)

- (1) It shall be unlawful for a person to sell, deliver, or otherwise transfer to a person who the transferor knows or has reasonable cause to believe is a juvenile –
 - (A) A handgun; or
 - (B) Ammunition that is suitable for use only in a handgun.
- (2) It shall be unlawful for any person who is a juvenile to knowingly possess –
 - (A) A handgun; or
 - (B) Ammunition that is suitable for use only in a handgun.
- (3) This subsection does not apply to –
 - (A) A temporary transfer of a handgun or ammunition to a juvenile or to the possession or use of a handgun or ammunition by a juvenile if the handgun and ammunition are possessed and used by the juvenile –
 - i. In the course of employment, in the course of ranching or farming related to activities at the residence of the juvenile (or on property used for ranching or farming at which the juvenile, with the permission of the property owner or lessee, is performing activities related to the operation of the farm or ranch), target practice, hunting, or a course of instruction in the safe and lawful use of a handgun;
 - ii. With the prior written consent of the juvenile's parent or guardian who is not prohibited by Federal, State, or local law from possessing a firearm, except –

- (I) During transportation by the juvenile of an unloaded handgun in a locked container directly from the place of transfer to a place at which an activity described in clause (i) is to take place and transportation by the juvenile of that handgun, unloaded and in a locked container, directly from the place at which such an activity took place to the transferor; or
 - (II) With respect to ranching or farming activities as described in clause (i), a juvenile may possess and use a handgun or ammunition with the prior written approval of the juvenile's parent or legal guardian and at the direction of an adult who is not prohibited by Federal, State or local law from possessing a firearm;
 - iii. The juvenile has the prior written consent in the juvenile's possession at all times when a handgun is the possession of the juvenile; and
 - iv. In accordance with State and local law;
 - (B) A juvenile who is a member of the Armed Forces of the United States or the National Guard who possesses or is armed with a handgun in the line of duty;
 - (C) A transfer by inheritance of title (but not possession) of a handgun or ammunition to a juvenile; or
 - (D) The possession of a handgun or ammunition by a juvenile taken in defense of the juvenile or other persons against an intruder into the residence of the juvenile or a juvenile in which the juvenile is an invited guest.
- (4) A handgun or ammunition, the possession of which is transferred to a juvenile in circumstances in which the transferor is not in violation of this subsection shall not be subject to permanent confiscation by the Government if its possession by the juvenile subsequently becomes unlawful because of the conduct of the juvenile, but shall be returned to the lawful owner when such handgun or ammunition is no longer required by the Government for the purposes of investigation or prosecution.
- (5) For purposes of this subsection, the term „juvenile“ means a person who is less than 18 years of age.
- (6) (A) In a prosecution of a violation of this subsection, the court shall require the presence of a juvenile defendant's parent or legal guardian at all proceedings.
- (B) The court may use the contempt power to enforce subparagraph (A).
- (C) The court may excuse attendance of a parent or legal guardian of a juvenile defendant at a proceeding in a prosecution of a violation of this subsection for good cause shown.

18 U.S.C. § 924(a)(6)

- (A) i. A juvenile who violates section 922(x) shall be fined under this title, imprisoned not more than 1 year, or both, except that a juvenile described in clause (ii) shall be Sentenced to probation on appropriate conditions and shall not be incarcerated unless the juvenile fails to comply with a condition of probation.
- ii. A juvenile is described in this clause if –
- (I) the offense of which the juvenile is charged is possession of a handgun or ammunition in violation of section 922(x)(x); and
 - (II) the juvenile has not been convicted in any court of an offense (including an offense under section 922(x) or a similar state law, but not including any other offense consisting of conduct that if engaged in by an adult would not constitute an offense) or adjudicated as a juvenile delinquent for conduct that if engaged in by an adult would constitute an offense.
- (B) A person other than a juvenile who knowingly violates section 922(x) –
- i. Shall be fined under this title, imprisoned not more than 1 year, or both; and
 - ii. if the person sold, delivered, or otherwise transferred a handgun or ammunition to a juvenile knowing or having reasonable cause to know that the juvenile intended to carry or otherwise possess or discharge or otherwise use the handgun or ammunition in the commission of a crime of violence, shall be fined under this title, imprisoned not more than 10 years, or both.

EN

D. STATE REQUIRED SAFETY WARNINGS (USA only)

BUBIX[®] pistols are generally sold in the US, which is why this manual contains all safety warnings required by some states. They are listed as follows:

California:

▲ WARNING „Children are attracted to and can operate firearms that can cause severe injuries or death. Prevent child access by always keeping guns locked away and unloaded when not in use. If you keep a loaded firearm where a child obtains and improperly uses it, you may be fined or sent to prison.“

Connecticut:

„UNLAWFUL STORAGE OF A LOADED FIREARM MAY RESULT IN IMPRISONMENT OR FINE.“

Florida:

„IT IS UNLAWFUL, AND PUNISHABLE BY INPRISONMENT AND FINE, FOR ANY ADULT TO STORE OR LEAVE A FIREARM IN ANY PLACE WITHIN THE REACH OR EASY ACCESS OF A MINOR UNDER 18 YEARS OF AGE OR TO KNOWINGLY SELL OR OTHERWISE TRANSFER OWNERSHIP OR POSSESSION OF A FIREARM TO A MINOR OR A PERSON OF UNSOUND MIND.“

Maine:

„ENDANGERING THE WELFARE OF A CILD IS A CRIME. IF YOU LEAVE A FIREARM AND AMMU-NITION WITHIN EASY ACCESS OF A CHILD, YOU MAY BE SUBJECT TO FINE, IMPRISONMENT OR BOTH. KEEP FIREARMS AND AMMUNITION LOCKED UP. USE TRIGGER LOCKS.“

Maryland:

▲ WARNING „Children can operate firearms which may cause death or serious injury. It is a crime to store or leave a loaded firearm in any location where an individual knew or should have known that an unsupervised minor would gain access to the firearm. Store your firearm responsibly!“

Massachusetts:

„WARNING FROM THE MASSACHUSETTS ATTORNEY GENERAL: This handgun is not equipped with a device that fully blocks use by unauthorized users. More than 200.000 firearms like this one are stolen from their owners every year in the United States. In addition, there are more than a thousand suicides each year by younger children and teenagers who get access to firearms. Hundreds more die from accidental discharge. It is likely that many more children sustain serious wounds, or inflict such wounds accidentally on others. In order to limit the chance of such misuse, it is imperative that you keep this weapon locked in a secure place and take reasonable preventative steps may result in innocent lives being lost, and in some circumstances may result in your liability for these deaths.“ „IT IS UNLAWFUL TO STORE OR KEEP A FIREARM, RIFLE, SHOTGUN OR MACHINE GUN IN ANY PLACE UNLESS THAT WEAPON IS EQUIPPED WITH A TAMPER-RESISTANT SAFETY DEVICE OR IS STORED OR KEPT IN A SECURELY LOCKED CONTAINER.“

New Jersey:

„IT IS A CRIMINAL OFFENSE TO LEAVE A LOADED FIREARM WITHIN EASY ACCESS OF A MINOR.“

New York City:

„THE USE OF A LOCKING DEVICE OR SAFETY LOCK IS ONLY ONE ASPECT OF RESPONSIBLE FIREARMS STORAGE. FOR INCREASED SAFETY, FIREARMS SHOULD BE STORED UNLOADED AND LOCKED IN A LOCATION THAT IS BOTH SEPARATE FROM THEIR AMMUNITION AND INACCESSIBLE TO CHILDREN AND OTHER UNAUTHORIZED PERSONS.“

North Carolina: „IT IS UNLAWFUL TO STORE OR LEAVE A FIREARM THAT CAN BE DISCHARGED IN A MANNER THAT A REASONABLE PERSON SHOULD KNOW IS ACCESSIBLE TO A MINOR.“

Texas:

„IT IS UNLAWFUL TO STORE; TRANSPORT; OR ABANDON AN UNSECURED FIREARM IN A PLACE WHERE CHILDREN ARE LIKELY TO BE AND CAN OBTAIN ACCESS TO THE FIREARM.“

Wisconsin:

„IF YOU LEAVE A LOADED FIREARM WITHIN THE REACH OR EASY ACCESS OF A CHILD YOU MAY BE FINED OR IMPRISONED OR BOTH IF THE CHILD IMPROPERLY DISCHARGES, POSSESSES, OR EXHIBITS THE FIREARM.“

Please keep in mind that state laws and/or regulations concerning firearms can change regularly. Make sure to contact your local federally licensed dealer and/or state police for information about current and additional laws and regulations concerning usage and storage of (your) firearms in your state.

EN

F. My BUBIX^{BRO}

Serial Number:

EN

G. My Conversion Kit

Serial Number:

📍 Bubix GmbH
Gewerberied 12
A - 7350 Oberpullendorf

☎ +43 50 919

🌐 bubix-arms.com

